



Phone: 440.647.5400 1.800.431.4350
 Fax: 440.647.4185
 Email: info@clevelandcityforge.com
 Online: www.clevelandcityforge.com

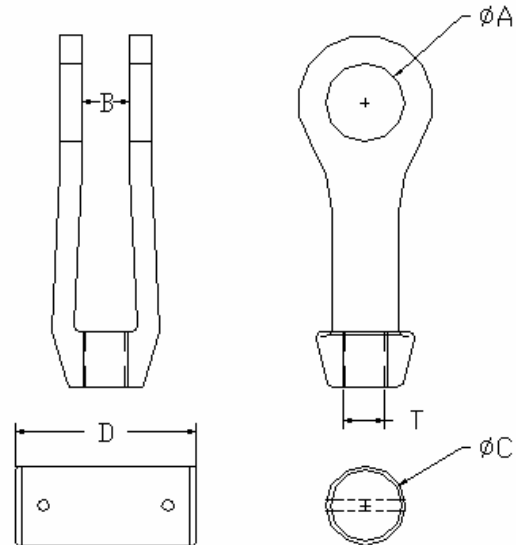


CLEVELAND CITY FORGE QUOTE EXPRESS FORM

CCF Contact: _____ Date: _____
 From: _____ Phone: _____
 Address: _____ Fax: _____
 _____ P.O.#: _____
 Contact: _____ Your Part #: _____
 Approved for Production: _____
 (Customer's Signature)

Clevis #: _____

T Thread Diameter: _____
A Pin Hole Diameter: _____
B Grip: _____
C Pin Diameter: _____
D Pin Length: _____
 Thread Type: _____ UNC-2B _____ UNF
 Other: _____
 Right Hand / Left Hand



Material:

- C1035 (Plain Finish) F-11
- F-22 304 SS 316 SS
- Other: _____

Certification:

- C of C Material Cert (CMTR)

Additional Requirements/Comments:

Plating:

- Galvanize Electropolish
- Passivate Zinc
- Other: _____

Please Quote the Following:

Quantity	Cost/Each
_____	_____
_____	_____
_____	_____

Pricing Valid for 30 days
 Lead Time: _____ Working Days